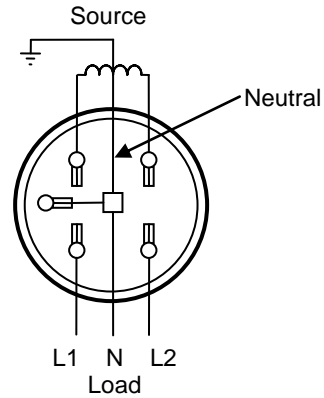
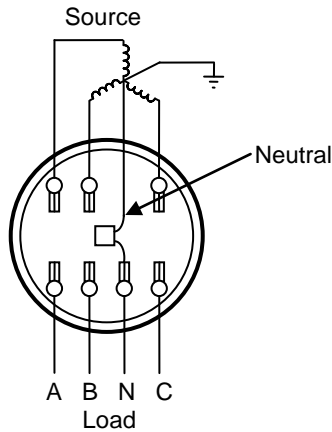


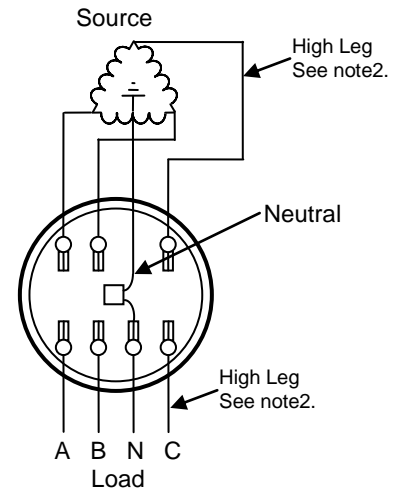
**Single Phase 3-Wire  
120/240V**



**Single Phase 3-Wire Network  
120/208V**



**Three Phase 4-Wire Wye  
120/208V or 277/480V**



**Three Phase 4-Wire Delta  
120/240V or 240/480V**

**Notes:**

1. Member's facilities shall comply with Cooperative Standards, the NEC, and authorities having jurisdiction.
2. High leg must be marked with orange tape at both ends of the source and load conductors and be connected to the right-hand meter socket terminals.
3. All sockets except residential single-phase less than 320 Amps shall have a manual mechanical gang operated bypass switch.
4. See Section 11 of the *Member Installation Standards* for meter socket requirements.

**NOTICE**

This drawing illustrates FECC requirements only, and is not intended to be a comprehensive guide for the installation of an electrical service. To insure a safe, quality installation that complies with the National Electrical Code and local code requirements, the Cooperative recommends that all work be done by a qualified, licensed electrical contractor.

**Wiring Diagrams for Self Contained  
Meters Up to 320A**

**DRAWING 11.8-1**

June 2014

NOT TO SCALE